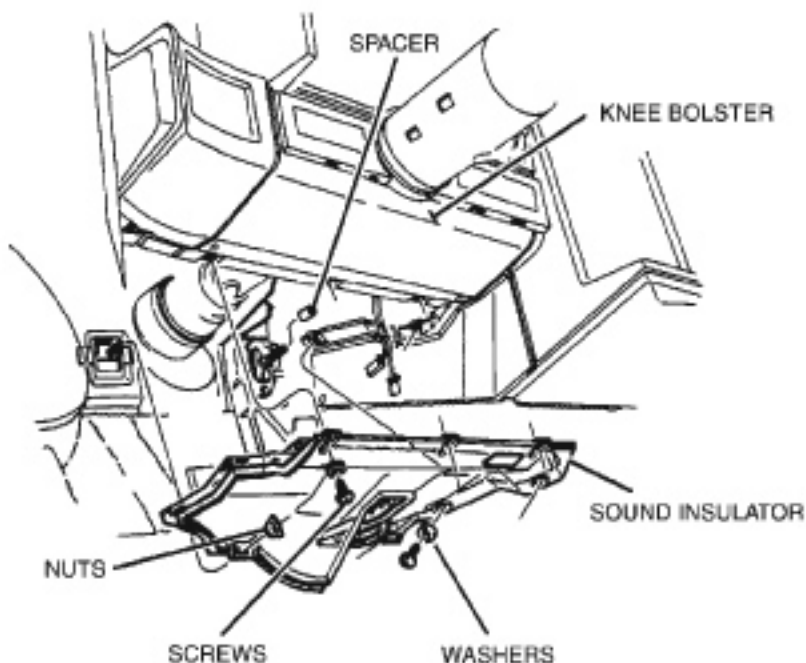


'93 Allante only, see reverse side for other years.



'93 THEFT DETERRENT MODULE (TDM)

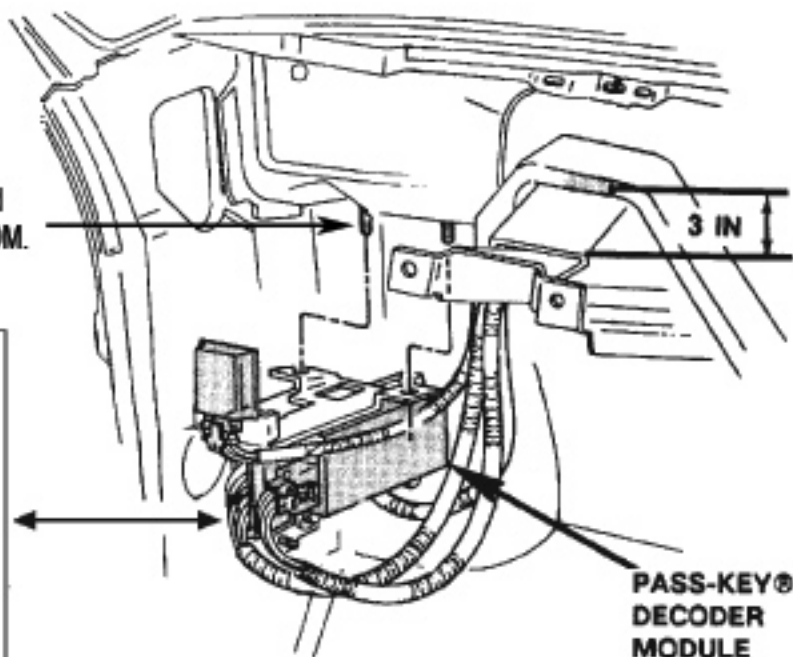
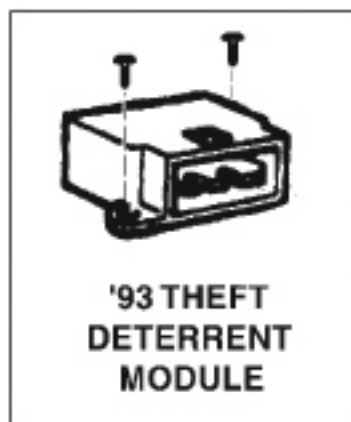


Remove or Disconnect

1. Three firewall nuts.
2. Five screws & washers.
3. Electrical connections.
4. LH Sound insulator.
5. Two TDM mounting screws.
6. TDM & connector harness.

FRONT
OF CAR

Note: remove nuts (2x10mm) and drop bracket to gain access to TDM.



'93 TDM LOCATION UP ABOVE LEFT SIDE OF BRAKE PEDAL

(See reverse side for other years.)