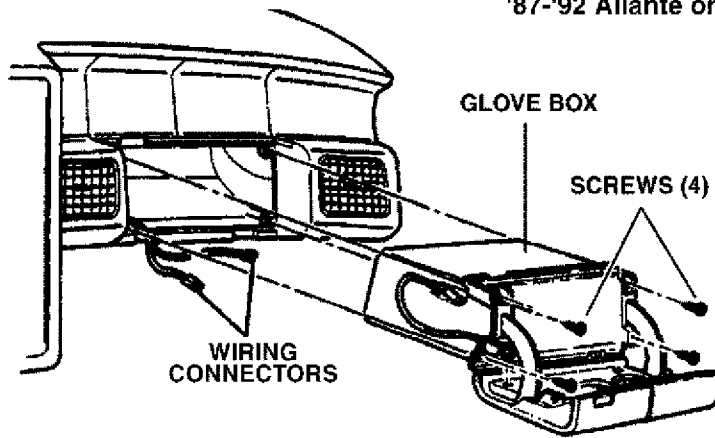


'87-'92 Allante only, see reverse side for '93 year.

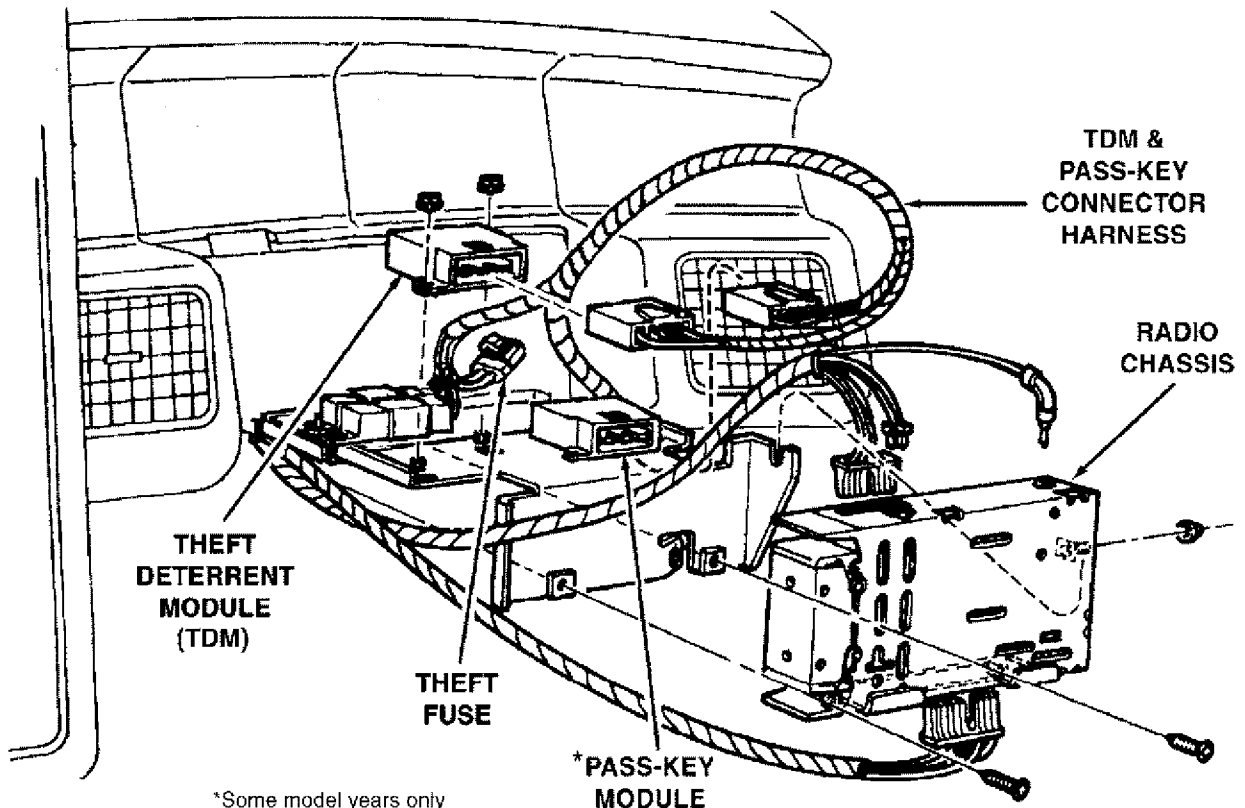


'87 - '92 THEFT DETERRENT MODULE (TDM)



Remove or Disconnect

1. Negative (-) battery cable
2. Four screws, wiring connectors and glove box.
3. Two screws and one nut retaining radio chassis.
4. Electrical connectors and coax cable from radio chassis and radio chassis from bracket.
5. Two screws and bracket assembly from instrument / dash panel.
6. TDM electrical connector.
7. Two nuts and TDM from bracket.
8. Reverse steps to reinstall and connect.



\*Some model years only