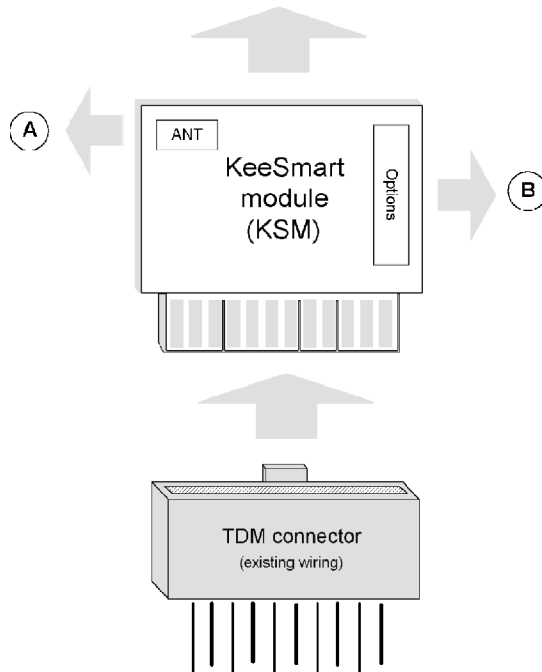
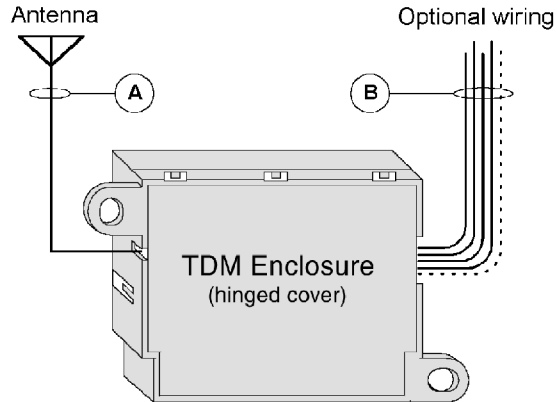
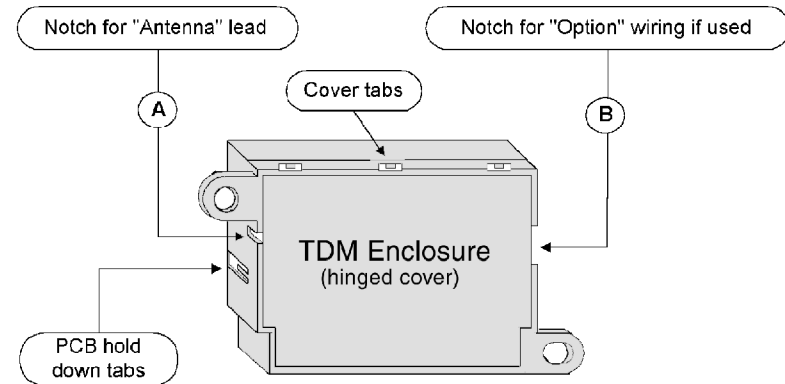


KeeSmart

Remote Keyless Entry Alarm System

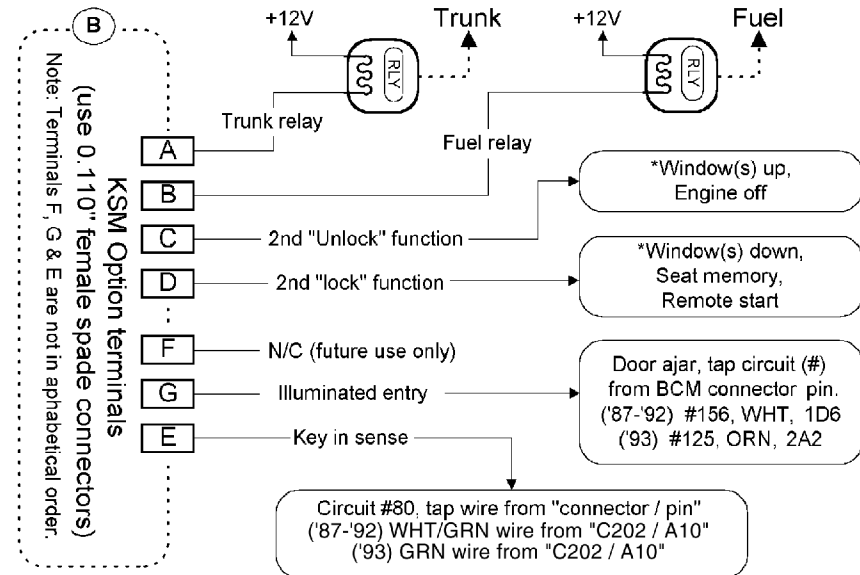


Components and wire routing views



Enclosure tabs and notch openings

Option connections



*Examples only, additional control circuits needed. Outputs "A,B,C & D" pulse to ground when active, max. load 400ma. To add additional alarm trip(s) tap blue TDM connector wire, to trip, pull to ground only.